



Hadrian Window Systems Ltd

part of the hadrian group...

'Creating glazed environments in which to live & work'





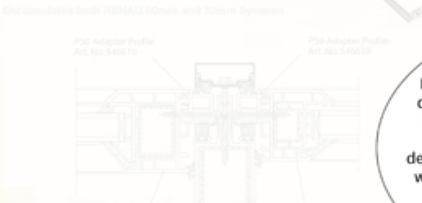
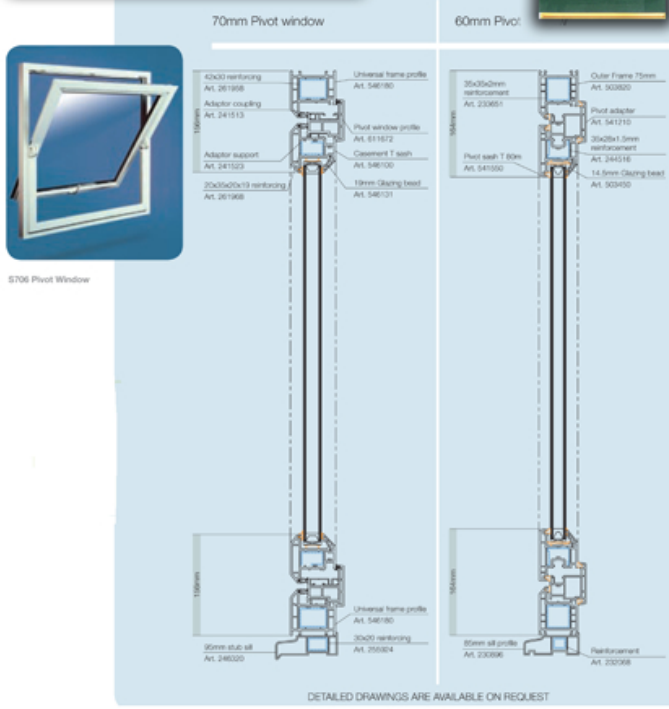
Hadrian Window Systems.....

PVCu Windows, Doors and Conservatories



REHAU's extensive product range offers a great variety of window, door, conservatory and curtain walling systems. Once you have chosen a system one of our Commercial Sales Managers can provide all the necessary technical information in order to produce a full specification.

PROTECT THE ENVIRONMENT
All REHAU Edge and 70mm window and door systems comply with building regulations on the conservation of fuel and power, which helps you to do your bit for the environment.



SAFEGUARD YOUR HOME
REHAU Edge and 70mm window and door systems have been awarded the BS7950 and PAS 23/24 window and door security standards, and are designed with ample internal chambers, which enable the installation of larger steel reinforcements for increased rigidity and strength. This helps to make your home more secure.

Energy Window

Energy Windows Ltd.
XYZ 68abc

A	
B	
C	C
D	
E	
F	
G	

Energy index (W/m²/year) **-15**

The climate zone is: **UK**

Thermal Transmittance (U_g) 1.5 W/m²/K
Solar Factor (g_{gl}) 0.41 W/m²/K
Effective Air Leakage (I_{sa}) 0.02 W/m³/K

Reg. No.: XXX
www.bfrc.org

This label is not a marketing requirement. It is a voluntary label provided as a customer service to allow consumers to make informed decisions on the energy performance of competing products.

What is the Window Energy Rating?
The British Fenestration Rating Council (BFRC) is an independent, government backed initiative set up to enhance the energy performance of buildings. BFRC in conjunction with the UK glazing industry and European partners has developed a Window Energy Rating to assess the energy performance of domestic windows.

Hybrid - Timber Aluminium Composite Window & Curtain Wall System



Overview

The Hybrid Window System is an 83mm, high performance window system that achieves very high thermal insulation values, providing low U values well below the current, and anticipated future Building Regulation requirements. Comprising the insulating benefits of timber on the inside, and durability of aluminium on the outside, the system includes top hung, side hung, Tilt and Turn, Overswing and fixed light combination windows.

Construction

Frames are constructed using mitred joints on both the aluminium and the timber frames. Using a mechanical corner joint on the aluminium and patented dovetail keys on the timber, enables the frames to be constructed without the need for complicated production processes. Integral transoms and mullions are inserted by scribing the ends and screw fix to the frame.

Performance

The Hybrid Window has been tested in accordance with BS6375 Part 1: 2004 (performance of windows and doors-classification of weathertightness and guidance on selection and specification).



Fire Rated Glazing Solutions

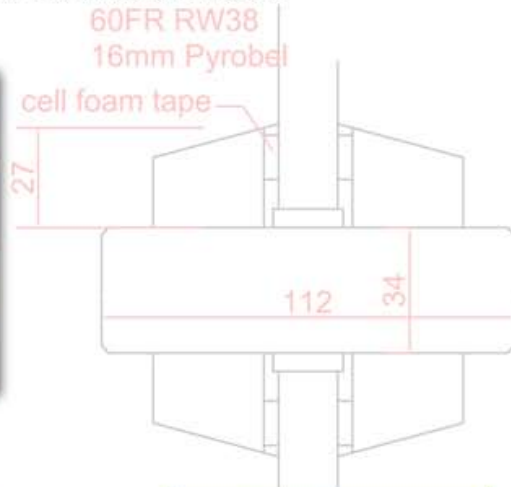


Hadrian Windows supply and install steel screens and doorsets, to provide fire rating and security glazing solutions. We provide glazing details to meet necessary specification requirements for fire, security and acoustics.

We manufacture and install timber, softwood and hardwood, internal and external screens. We can manufacture hardwood screens to varying fire insulation, and integrity levels, to meet building control requirements. All screens are manufactured and installed in accordance with appropriate fire test certificates.



We provide traditional manufactured timber shop fronts, to current day building control requirements.



Structural Glass Assemblies



Seamless glazed facade



Hadrian Windows supply and install structural toughened glass assemblies using Dorma's high quality steel fittings for glass architecture.





Hadrian Window Systems Ltd

part of the hadrian group...

Recent Projects...



Project: Walbottle Campus
Contract Value: £220,000
Main Contractor: Sir Robert McAlpine

In association with Hadrian Group member West End Cabinet and Joinery Ltd who manufactured and installed the timber screens. Hadrian Window Systems supplied and installed 16mm Pyrobel 60/30 fire rate glass with acoustic properties.



Project: Haining Croft
Contract Value: £35,000
Main Contractor: Mansell Construction Services Ltd

Bespoke design and manufacture of new conservatory. Due to planning constraints the new conservatory had to match exactly the design of the original conservatory using modern materials to meet current building regulations.



Project: Northumberland Business Park
Contract Value: £650,000
Main Contractor: Gladman Developments

Design supply and install to 18 office units, anthracite grey foiled UPVC windows complete with double glazed units and toughened spandrel panels.

For more Information please contact:

Hadrian Windows Systems Limited

Addison Industrial Estate
Blaydon on Tyne
NE21 4TE

T: 0191 414 8090

F: 0191 414 8010

E: sales@hadrian-group.co.uk

www.hadrian-group.co.uk



Glass and Glazing Federation

